

VERADO

Your Optimal Choice



Description

Mixing system "ST" models:

Paddle system stirring produced by food-grade materials.

Refrigerant unit:

Forced air-cooled hermetic compressor.

Drink cooling:

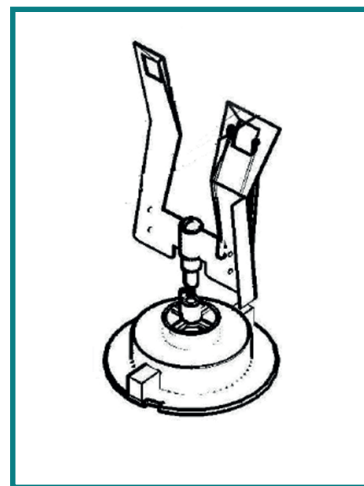
Unique evaporator and faster start-up.

Two pieces of valves:

Sanitary, drip free and stainless steel.

Temperature control:

Adjustable thermostatic system.



Paddle system



Technical information

	1 Tank	2 Tanks	3 Tanks
Tank Capacity	11 lt	22 Lt. * 2(11 Lt.)	33 Lt. * 3(11 Lt.)
Gas Type	R134a		
Dimension (cm)	W 21 X D 44.5 X H 63.8	W 41 X D 44.5 X H 63.8	W 61 X D 44.5 X H 63.8
Volt	220/240 V. - 50 Hz.		





 Head Office: 177 El Haram St., Giza, Egypt

 Factory address: Plot 602, 6th Industrial zone, 6th of October city, Giza, Egypt

 Fax: (+202) 33828588

 Tel. from outside Egypt: (+202) 33874021

 www.verado-eg.com

 info@verado-eg.com

